

**EXPERIENCES OF 50 YEARS LIFE LONG LEARNING FOR
COMMON ACTION OF EXPERTS AND KNOWLEDGE-BASED
SOCIETY FOR PROMOTION SUSTAINABLE DEVELOPMENT
BASED ON ECO-INNOVATION**

Jan W. DOBROWOLSKI
WAAS, AGH-UST, RA-IS, EIEC

Motto:

Everybody for BETTER Quality of LIFE
for All

EDUCATION for Common Action of Experts and Knowledge-
based Society

- Common MOTIVATION for promotion *SUSTAINABLE DEVELOPMENT*
- Concept of *Sustainable Management* of the Natural Resources for the Future Permanent Development and Nature Protection
- introduced over 60 years ago by prof.W. Goetel at AGH-UST
- founder of *SOZOLOGY* and *SOZOTECHNICS* and leader of
- *Interdisciplinary OPEN for All* Seminars in this field.

- Reasons:
- Philosophical, *Ethical*, *Ecological*, *Economic*, etc.

- BIO-based GREEN ECONOMY :
- Protection of the Biodiversity,
- Human Health (consumers),
- **Proper reproduction of BIOLOGICAL Resources**
- **Ecological Balance of the BIOSPHERE**
- Global Network of Cooperation.
- **Local** INTEGRATED Action-good practice...

- Good practice of **45 years voluntary education** of interested university students e.g. 1st Polish Summer School **on the Human Environment** in the oldest in Europe border park in the Piening Mts. at 1968 , 1st International Summer School at 1972, series of Workshops, Seminars, International Conferences from 1989 and **25 years** of activity **of AGH OPEN for All UNIVERSITY.**

- Long-term activity *AGH Open University*
- and Inter-Generation Cooperation on e.g.
- Sustainability of *Management of the Natural Resources*, *Primary Prevention of Environmental Risks for Human Health*, *Culture Heritage*, *contribution* of Knowledge-based Society and Experts to *Decision-making process on Local level*, etc....

- *New Model of Consumption*
- as a tool
- **for** Better Quality of LIFE
- Common Action of Experts [from different disciplines] , Society, Producers, Decision-makers in cooperation with teachers, journalists, NGOs, etc.

BIO-BASED GREEN ECONOMY

- New Challenges for the Mankind by **CHANGE** technocratic concept of overexploitation of
- the natural resources and *positive feed-back system* into **bio-based GREEN ECONOMY** [based on Innovative Ecologically-friendly Biotechnology, e.g. **LASER BIOTECHNOLOGY**, Biomimetic and Ecological Engineering] focused on Negative Feed-back System necessary for protection of HOMEOSTASIS of the Human body
- and the Biosphere...

Let us Learn from **the NATURE**

- Dissemination of New Methods for Early Detection of the Risk Factors in the Human Environment [**Biosphere**, **Sociosphere** and **Technosphere**]
- and
- More Effective *Primary Prevention*
- { at the sources } in the natural- and **indoor**-Environment as Common Action...

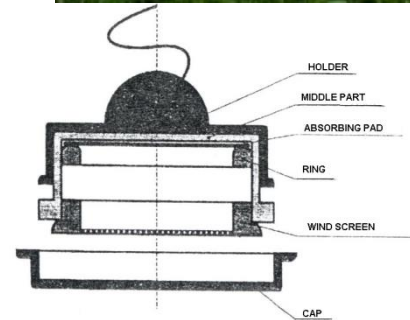
COMMON Action

- **Interdisciplinary „case studies“** in different *regions*, followed by **COMMON ACTION** of *experts*, local stakeholders, visitors e.g. in national parks, health resorts, historical cities e.g. in Krakow (Cracow), Florence etc.
- -Promotion of **Qualified Tourism** connected with
- **education toward SUSTAINABLE SOCIETY**

SUSTAINABLE Society

- Management of New Anthropogenic Risk Factors, **More effective PREVENTION,**
- Proper use of progress of science and technology for **BETTER Quality of LIFE** and Sustainable Management of the Natural Resources for the Future
- **LONG-LIFE EDUCATION for All**
- **Inter**-generations Solidarity and Integration...

- Tabula rasa ...





RECOMMENDATION for the Future

- Introduction as necessary element of general education at university basic knowledge of sozology, sozotechnic *focused on* bio-based Green Economy [interdisciplinary problem-solving education],
- Foundation of Model Centers of Sustainable Development and Eco-innovation [based on the Human Ecology and Environmental Biotechnology] beginning from AGH-UST, PK-CUT, UR-AR, Training for Developing Countries...

RECOMMENDATION for the Future

- Introduction of International NETWORK for Cooperation of Experts and Knowledge-based Society in cooperation with WAAS and interested National Academies of Science, e.g. RA-IS, PAS, Universities etc. toward Sustainable Society [including Database, network for dissemination and optimization good practice based on GRID system, development distance education, e-learning, Open Universities, etc]

RECOMMENDATION for the Future

- Support and development of Modernization and Integration of whole system of EDUCATION [formal and informal]-BOLOGNA PROCESS
- for Promotion Sustainable Knowledge-based Society
- focused on Common Action for Better Life Quality as GAME for All for better FUTURE for All.
- GOOD LUCK !

GLOBAL AND REGIONAL COOPERATION

- INTERUNIVERSITY CENTER OF SUSTAINABLE DEVELOPMENT AND ECOINNOVATION IN KRAKOW CITY POLAND BASED ON OVER 60 YEARS OF GOOD PRATCICE
- PROGRESS IN TRAINING STAFF FOR DEVELOPING COUNTRIES FROM UZBEKISTAN TO MADAGASCAR AND BRAZIL
- DISTANCE EDUCATION COOM ANCTION..



THANK YOU